

GH+15 /25 condensate pump / Kondensatpumpe / pompe à condensat / condensaatpomp

0666540

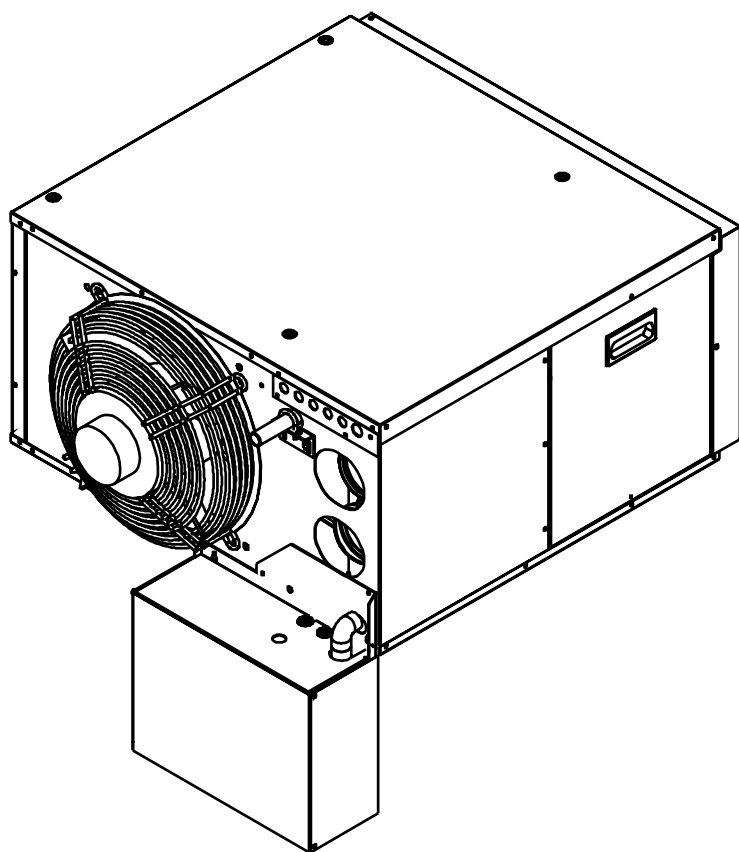
THERMO
AIR

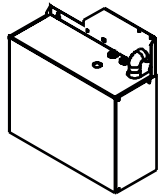




Mounting instruction **EN**

Montageanleitung **DE**

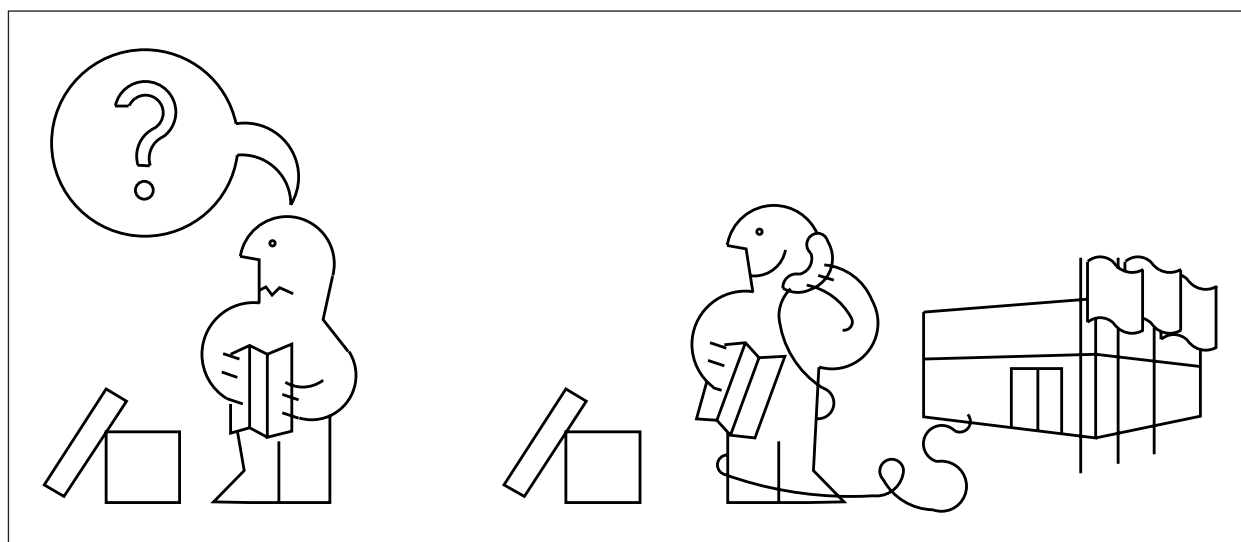
Notice de montage **FR**

Montagehandleiding **NL**

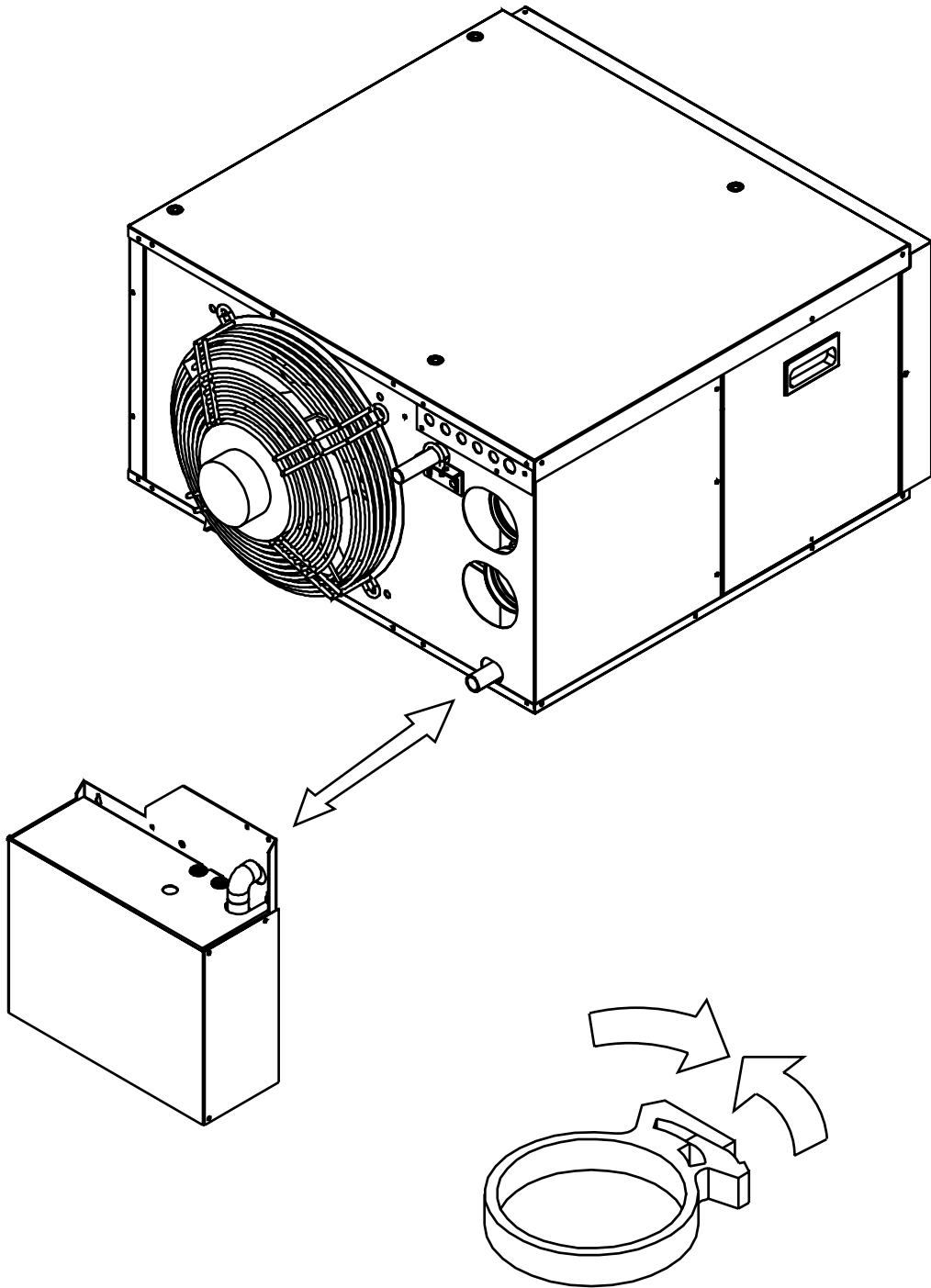


<p>PUMP CASING PUMPENGEHÄUSE CORPS DE POMPE POMP OMKASTING</p>	1x	
<p>PLASTIC HOSE KUNSTSTOFFSCHLAUCH TUYAU EN PLASTIQUE PLASTIC SLANG</p> <p>L=5m D = Ø 10MM</p>	1x	
<p>SELF-SEALING HOSE COLUMN SELBSTDICHTENDE SCHLAUCHANSCHLUSS TUYAU AUTO-OBTURANT ZELFDICHTENDE SLANGPILAAR</p>	1x	
<p>SELF DRILLING SCREWS SELBSTBOHRENDE SCHRAUBEN VIS AUTO-PERCEUSES ZELFBORENDE SCHROEVEN</p>	8x	
<p>PLATE SCREWS SCHRAUBEN VIS DE FORAGE PLAATSCHROEVEN</p>	4x	

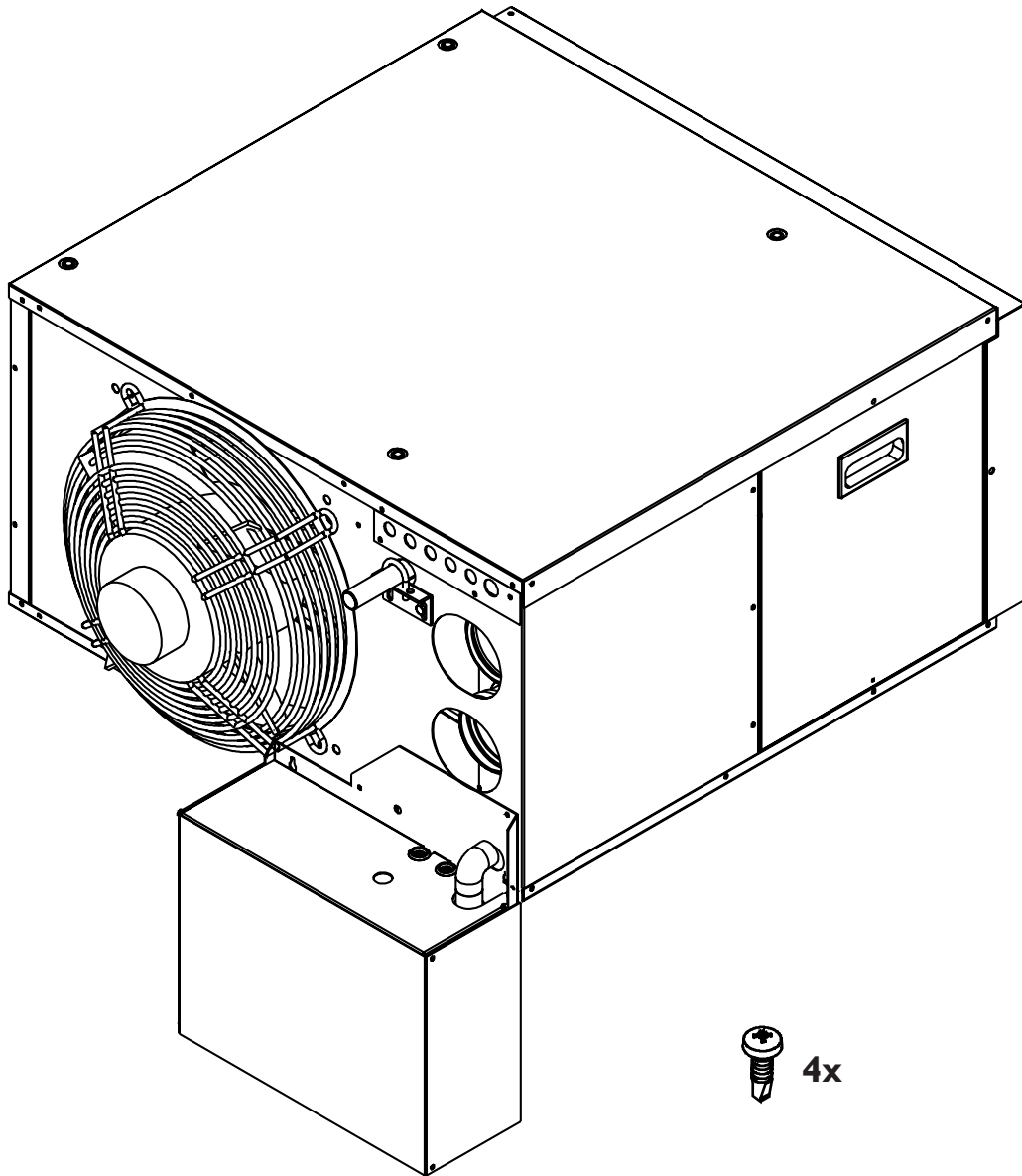
Max. condensate production / Kondensatförderung / Production de condensat / Condensaatproductie		
Type GH+	15	25
dm ³ /h	0,37	0,73



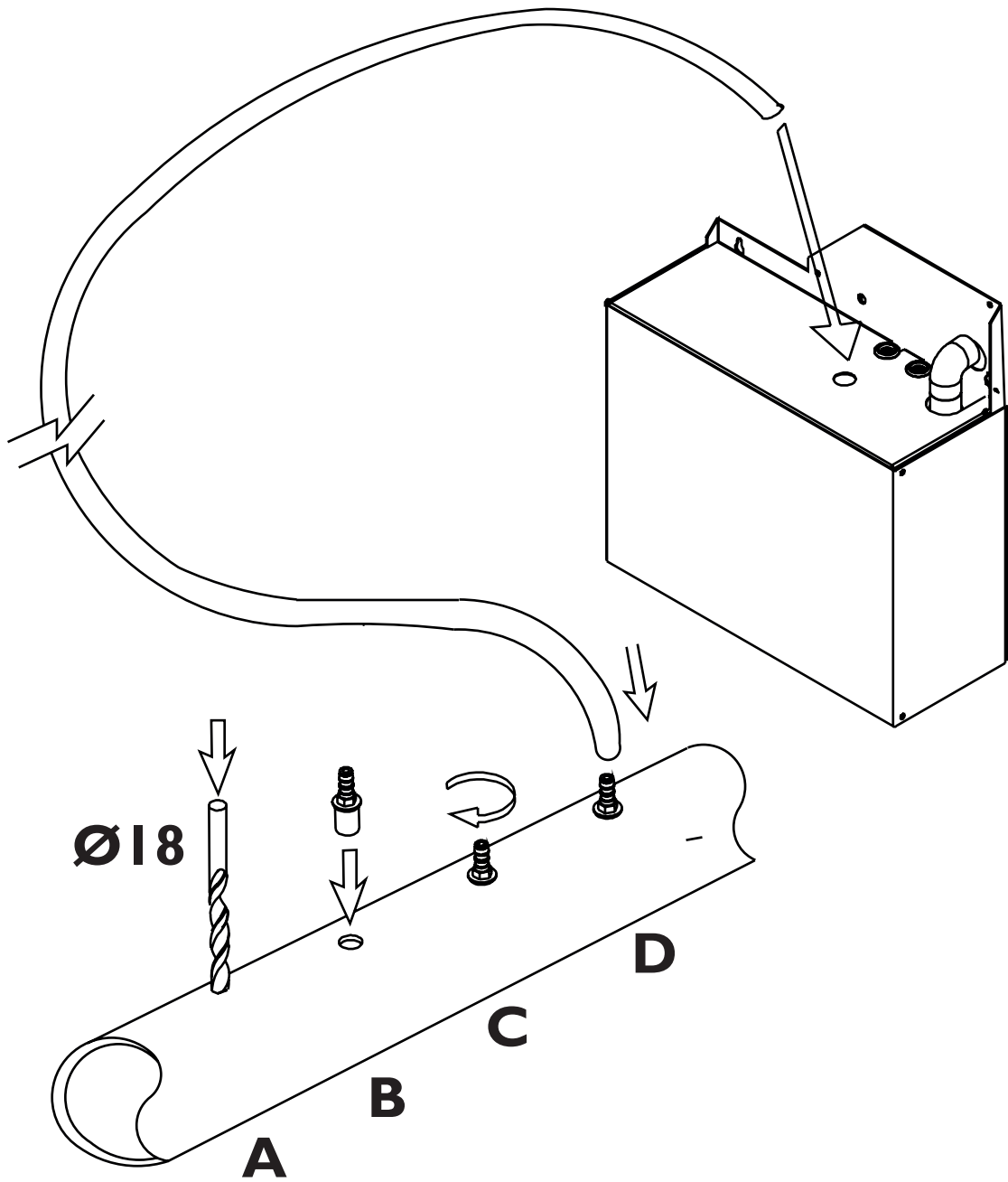
I.I



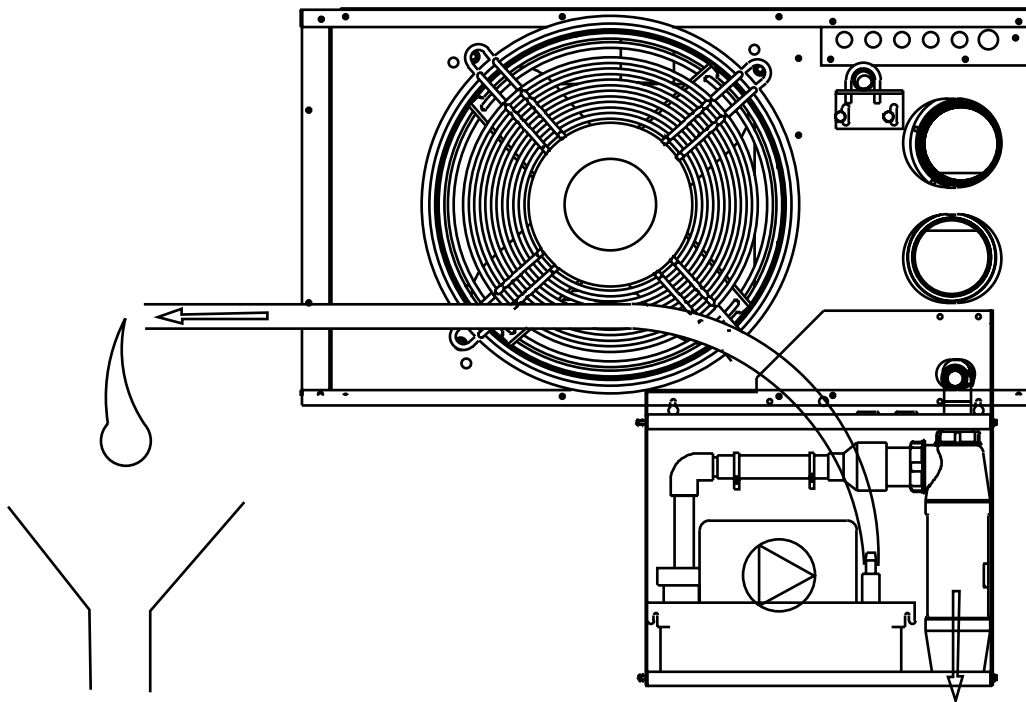
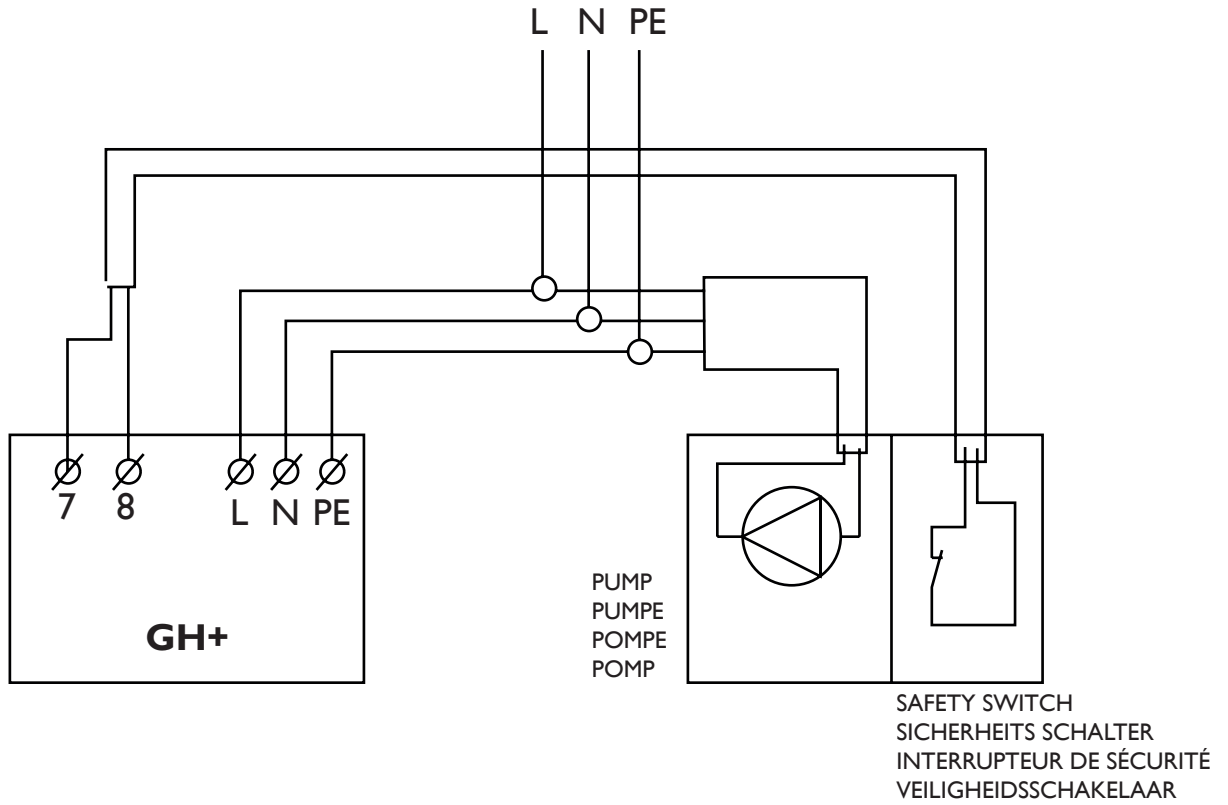
1.2



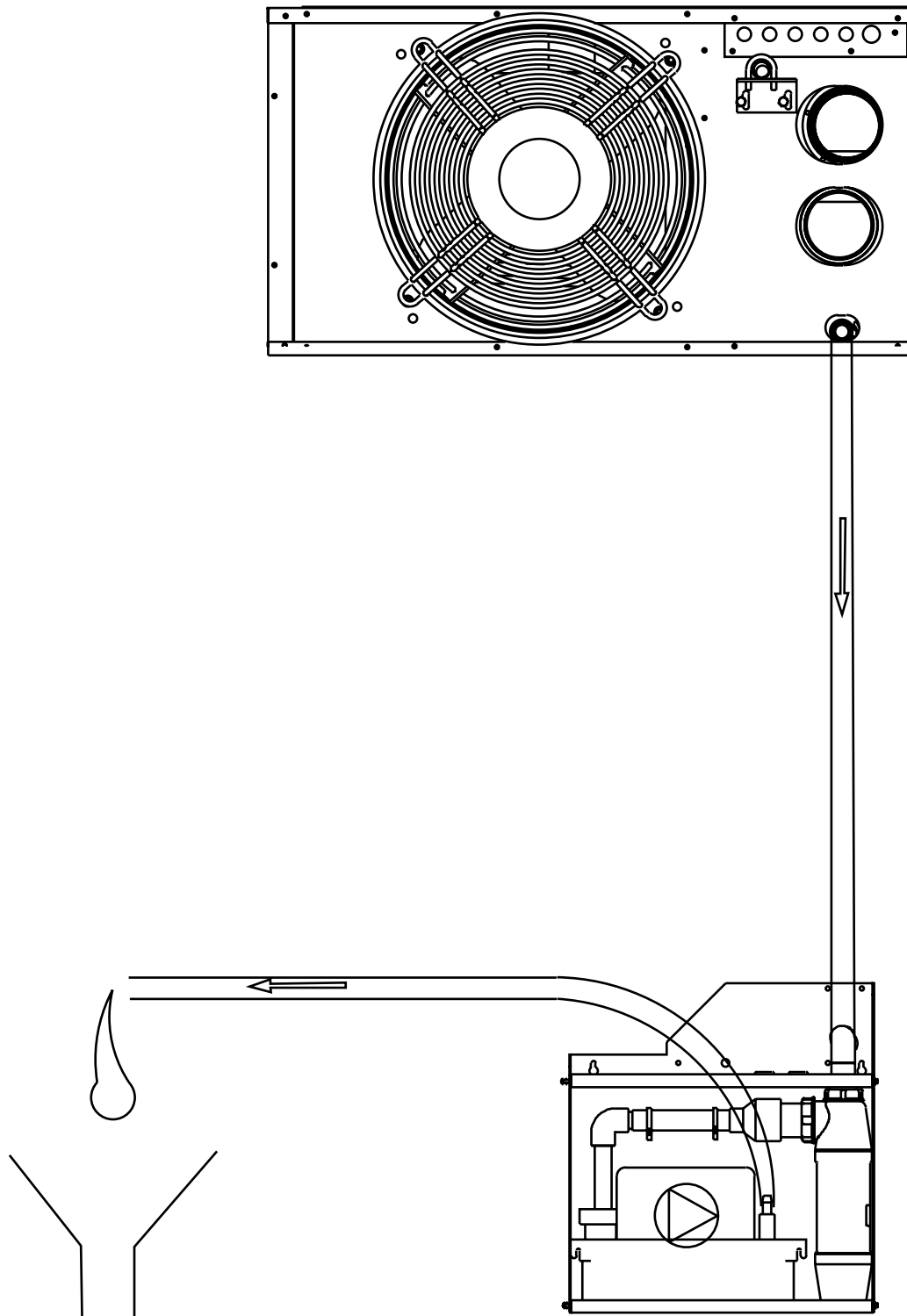
1.3.1



I.4



1.5



THERMO AIR BV
BENEDEN VERLAAT 87-89
9645 BM VEENDAM
TELEFOON +31(0)35 - 5249000

info@thermoair.nl
www.thermoair.nl

The logo for Thermo Air, featuring the word "THERMO" in red and "AIR" in blue, both in a bold, sans-serif font, set against a white background with a slight shadow.

THERMO
AIR