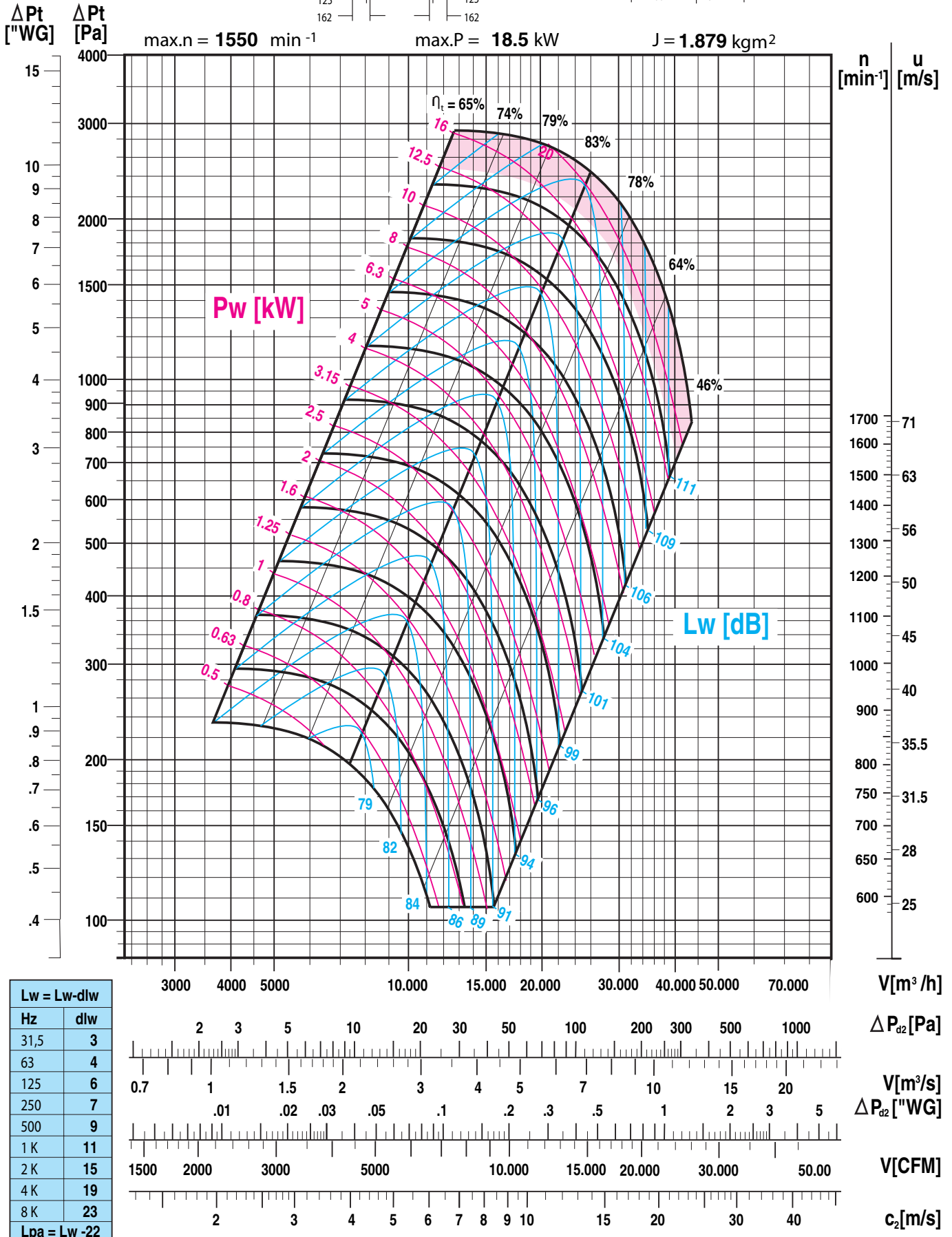
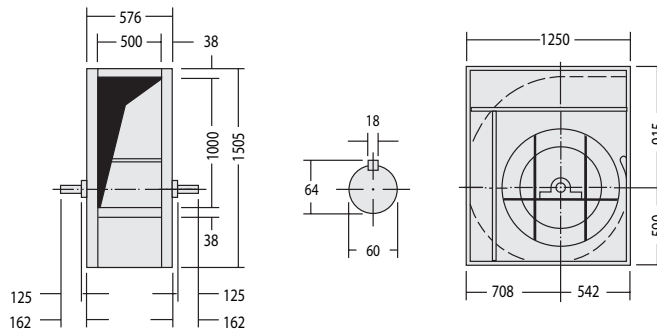


# THERMO AIR®

# HEBE 800

DIN 24163  $t=20^{\circ}\text{C}$   $\rho=1.2\text{ kg/m}^3$



Lw = Lw-dlw	
Hz	dlw
31,5	3
63	4
125	6
250	7
500	9
1 K	11
2 K	15
4 K	19
8 K	23
Lpa = Lw -22	