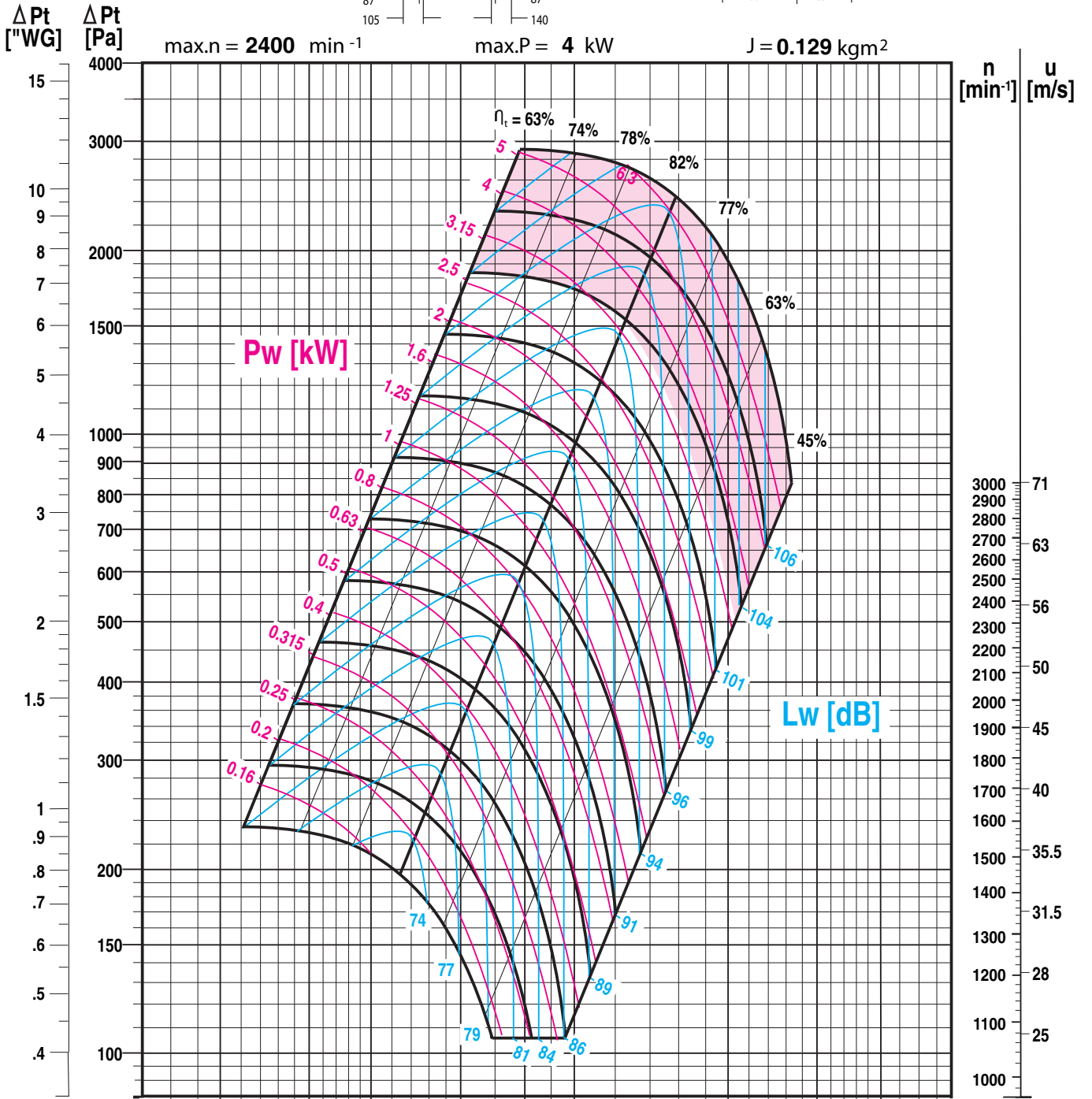
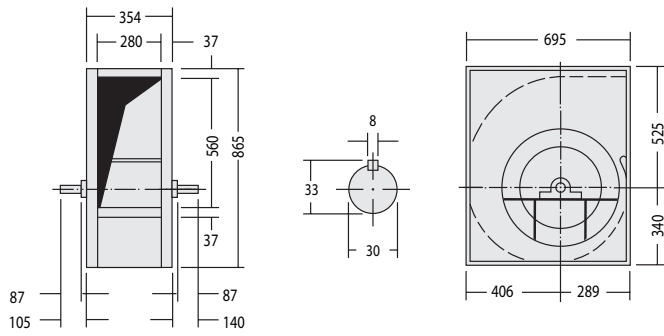


THERMO AIR®

HEBE 450

DIN 24163 t=20°C ρ=1.2 kg/m³



Lw = Lw-dlw	Hz	dlw
	31,5	3
	63	4
	125	6
	250	7
	500	9
	1 K	11
	2 K	15
	4 K	19
	8 K	23
Lpa = Lw -21		